

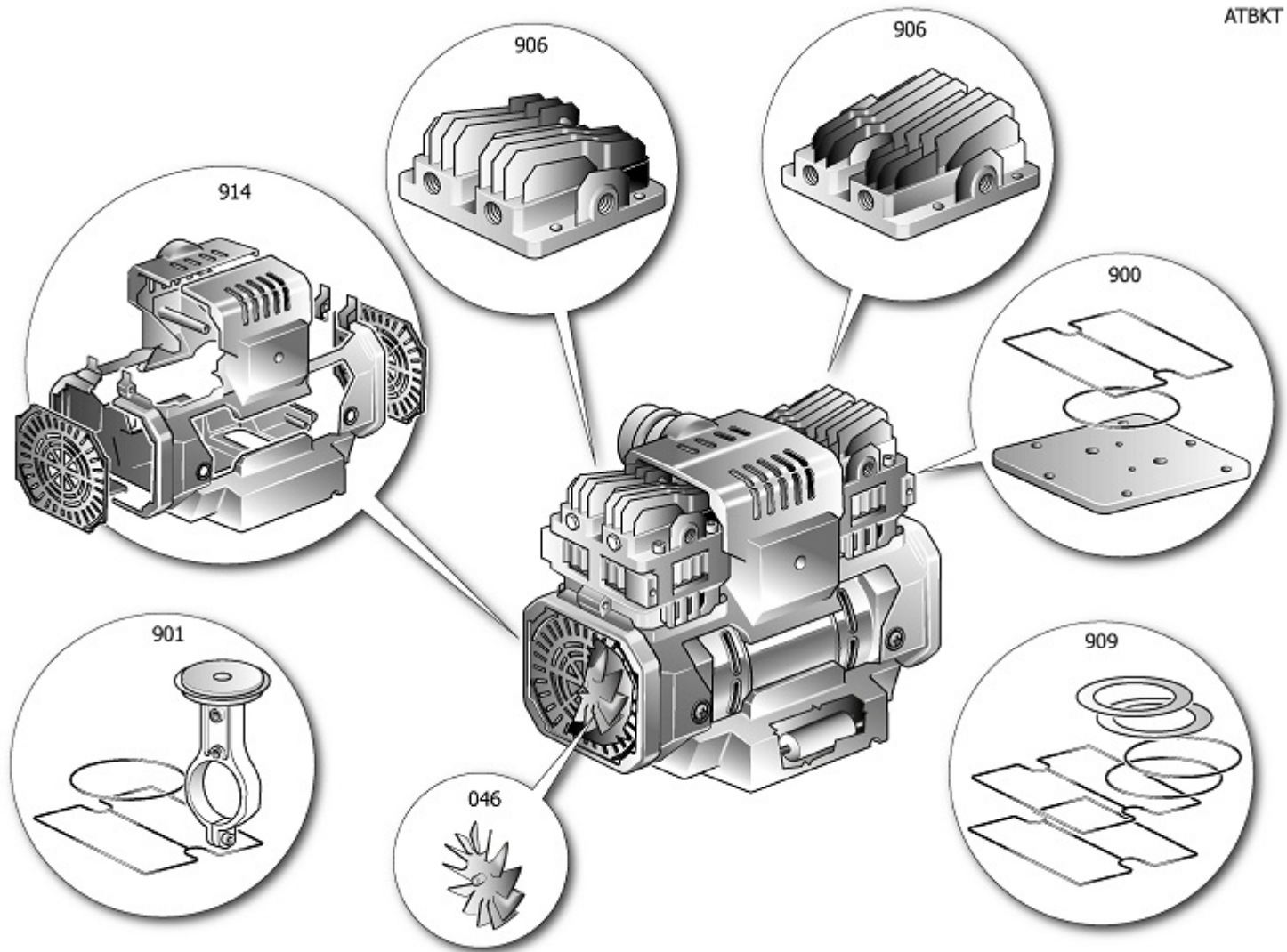


B2BR304NUA

SILTEK TB 6

| Pos | Component | MU | Multiplier |
|-----|-----------|--------------------------|------------|
| 23 | 9417794 | AIR FILTER ASSEMBLY | PZ 1,0 |
| 80 | 9417791 | CONDENSER | PZ 1,0 |
| 110 | 9049190 | RELIEF VALVE | PZ 1,0 |
| 131 | 9430857 | COMPLETE PRESSURE SWITCH | PZ 1,0 |
| 132 | 9065376 | POWER CABLE | PZ 1,0 |
| 200 | 9417870 | BARE PUMP | PZ 1,0 |
| 300 | 9430852 | WHEELS/FEET MOUNTING KIT | PZ 1,0 |
| 431 | 9430854 | CONTROL PANEL | PZ 1,0 |
| 990 | 9430856 | KIT INSTRUMENTS | PZ 1,0 |
| 991 | 9430822 | KIT SENDING PIPE | PZ 1,0 |
| 992 | 9430853 | KIT NOT RETURN VALVE | PZ 1,0 |
| 998 | 9430816 | KIT DAMPERS | PZ 1,0 |

ATBKT





PUMP OL150TB 1,

BARE PUMP

| Pos | Component | MU | Multiplier |
|-----|-----------|------------------------------|------------|
| 46 | 9430851 | FAN | PZ 2,0 |
| 900 | 9430800 | MPK VALVE PLATE Q2 750W JW | PZ 2,0 |
| 901 | 9430801 | MPK CONROD ASS.LY Q2 750W JW | PZ 2,0 |
| 906 | 9430848 | MPC HEAD LF Q2 750W TB JW | PZ 1,0 |
| 906 | 9430849 | MPC HEAD RG Q2 750W TB JW | PZ 1,0 |
| 909 | 9430804 | MPK GASKETS+SEALS Q2 750W JW | PZ 1,0 |
| 914 | 9430850 | CONVEYOR KIT | PZ 1,0 |